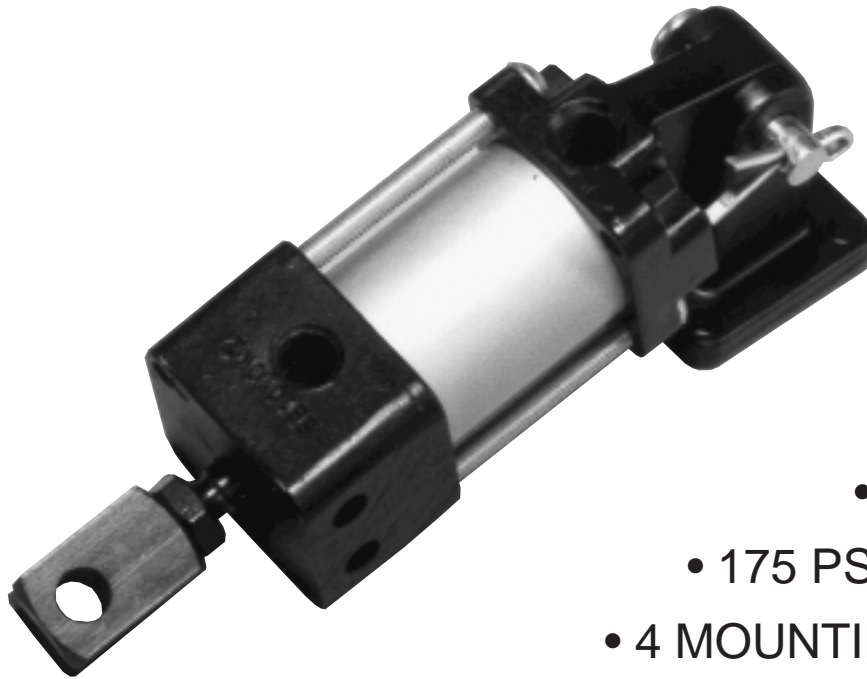


SERIES "C"

PNEUMATIC CYLINDERS



- 1-1/8" BORE
- 175 PSI MAXIMUM
- 4 MOUNTING STYLES
- SPECIAL CONFIGURATIONS AVAILABLE
- STANDARD UNITS SHIPPED FROM STOCK



CONTROL LINE EQUIPMENT, INC.

14750 Industrial Parkway • Cleveland, Ohio 44135
(216) 433-7766 • FAX: (216) 433-7664

Standard Features and Benefits

The Series "C" cylinders offer a durable and economical solution for small bore, repairable cylinder applications. The end covers are die-cast zinc to maximize value. The tube is hard coated aluminum to assure a long life for the piston seal. The standard rod is black oxidized fatigue proof steel. An optional 303 stainless steel rod is available. All dynamic seals are specially compounded buna with a low friction lubricant molded into the seal itself. Standard strokes are 1" through 6" for double acting and 1" through 4" for single acting in even inch increments. Fractional and longer than standard strokes are available - consult factory.

Optional Features

All Series "C" can be furnished with viton seals. To specify, add -V to the cylinder model number.
i.e. C0212-0054.0-V

The C0213 cylinder can be ordered as spring extended. To specify, add -RE to the cylinder model number.
i.e. C0213-0051.0-RE

The C0215 is solenoid controlled and, therefore, a voltage must be specified. The standard voltage is 120/60. Six optional voltages are available: 12/60, 24/60, 240/60, 460/60, 12 VDC or 24 VDC.

The C0215 can be ordered as normally extended (solenoid energized to retract). Change the basic model number to C1215-XXXX.X and the normally open adapter will be added to the cylinder.

The C0215 can also be ordered with an additional pilot port in the cap to control another valve, cylinder or for use as a pressure sensing port. Change the basic model number to C2215-XXXX.X.

Engineering Data

Maximum operating pressure: 175 psi

Minimum operating pressure: 15 psi for double acting
20 psi for single acting, (full stroke zero force)

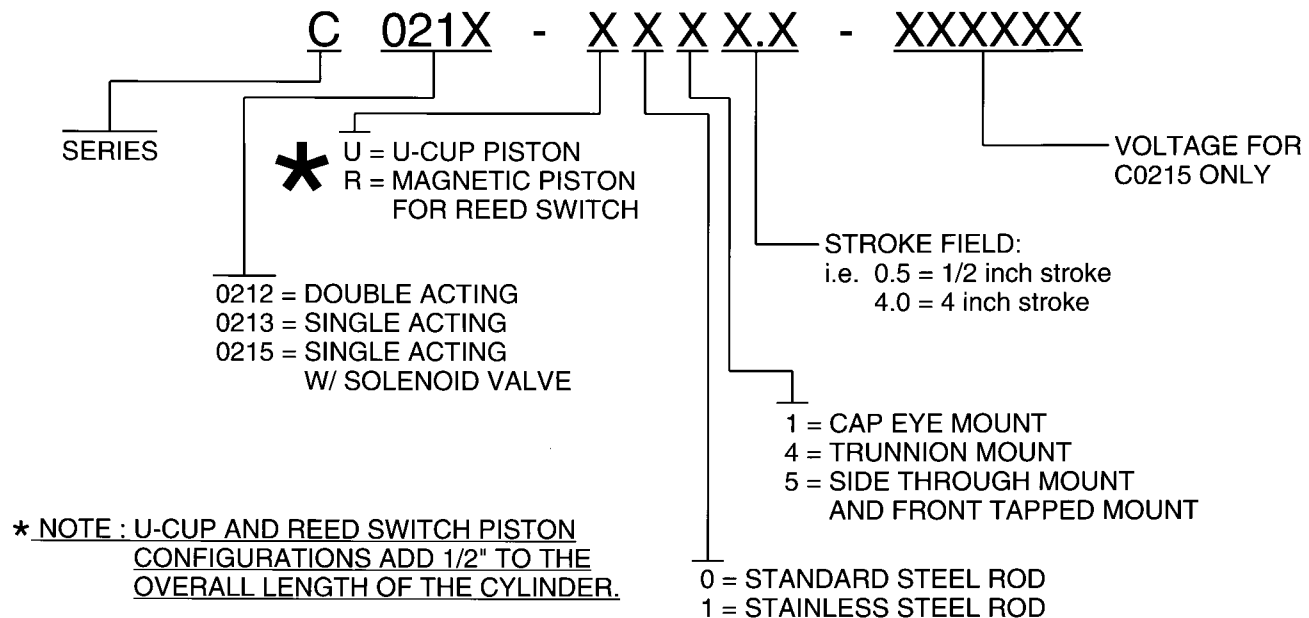
Temperature range: -20°F to 180°F

Effective thrust areas: extend - 1.0 square inches
retract - .9 square inches

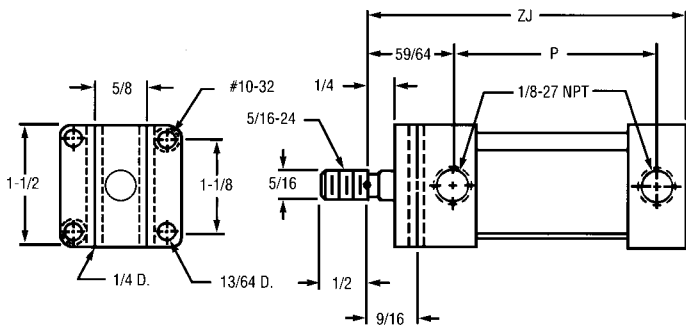
Approximate spring forces: four pounds preload
three pounds per inch of stroke

Current consumption for C0215: @ 120/60 .15 amp inrush
.10 amp holding
@ 12 VDC .62 amp maximum

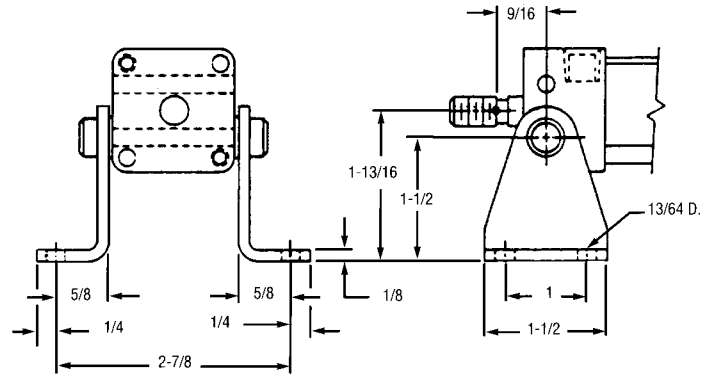
HOW TO ORDER



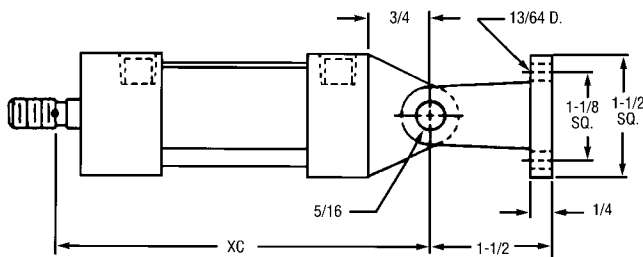
DIMENSIONAL DATA



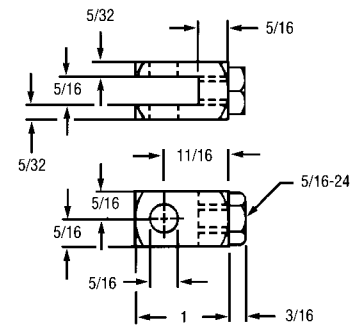
Side Through Holes and Front Tapped Mount



Head Trunnion Mount



Cap Eye Mount



Rod Clevis and Nut

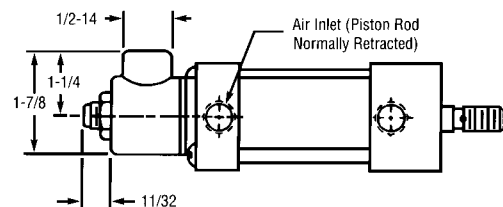
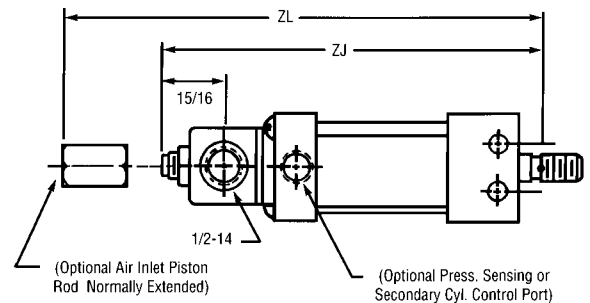
STROKE						
Single Acting	1	2	3	4	5	6
Double Acting	1	2	3	4	5	6
P	2-1/8	3-1/8	4-9/32	5-1/8	6-3/16	7-3/16
XC	4-1/8	5-1/8	6-9/32	7-1/8	8-3/16	9-3/16
ZJ	3-3/8	4-3/8	5-17/32	6-3/8	7-7/16	8-7/16

NOTE: U-CUP AND REED SWITCH PISTON CONFIGURATIONS ADD 1/2" TO THE OVERALL LENGTH OF THE CYLINDER.

C0215 ONLY

C0215 Only
(Cap Eye Mount Not Available)

STROKE				
Single Acting	1	2	3	4
ZJ	5-5/32	7-9/32	9-3/16	10-3/16
ZL	5-17/32	7-11/16	9-19/32	10-19/32



**RESERVED FOR
YOUR CUSTOM
COMPONENT**

Local Distributor/Representative: